

SBE®

Dual PCI-X SCSI Ultra 320 LVD host adapter

▼
scsiPCI-2U4WL



Highlights

- ▶ 2-channel Ultra-320 Wide LVD SCSI host adapter
- ▶ Up to 320 MB/sec transfer rate per channel
- ▶ Low-Voltage Differential or Single-Ended signals
- ▶ PCI-X 1.0 & PCI 2.2 compatible
- ▶ Allows 30 SCSI devices
- ▶ Drivers for Linux, Solaris, and Windows
- ▶ On-board EEPROM for Configuration
- ▶ Solaris Ready

scsiPCI-2U4WL

SBE's scsiPCI-2U4WL two-channel, low-voltage-differential, wide SCSI host adapter allows up to 30 SCSI hard disks, tape drives, CD-ROMs, and other SCSI devices to be connected to a workstation or server at data transfer rates up to 320 megabytes per second, per channel. An on-board SCSI command processor reduces the system load, while 128 double-word burst DMA over a 64-bit 133 MHz PCI-X bus gives state-of-the-art peak system bus bandwidth of up to 1066 MB/sec while retaining compatibility with existing PCI slots.

Ultra 320 host adapter provides full backward compatibility to other SCSI LVD devices, such as Ultra3 and Ultra2. Powered by the LSI MPT 320 chipset, the SBE scsiPCI-2U4WL supports Solaris 9, 8, Linux and Windows-based operating systems.

SCSI PCI
SERIES



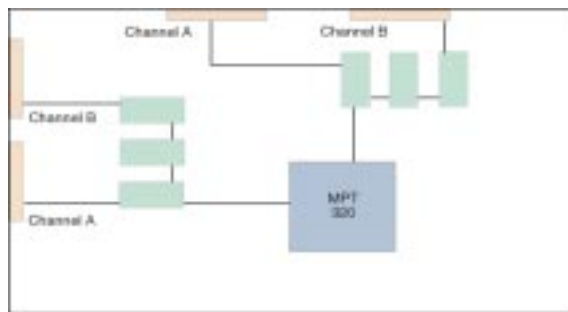
All Antares Microsystems products are now developed and marketed by SBE.

www.sbei.com

**Dual PCI-X SCSI Ultra 320
LVD host adapter**



scsiPCI-2U4WL Architecture



Specifications

Maximum Transfer Rate	2 x 320 MB/sec (Ultra-320)
SCSI Bus Driver Type	Low Voltage Differential, autoswitch to single-ended
PCI	32/64-bit, 33/66MHz PCI 2.2, 3.3V PCI signaling
Maximum Cable Length	12 meters
Maximum Number of Devices	15 (per channel)
SCSI Data Bus Width	2 x 16 bits
SCSI Connectors	68-pin VHDCI Female External 68-pin SCSI-3 Internal
SCSI Termination	Auto
System Data Transfer Method	1024-Byte Burst DMA
Fuse	Self-resetting 2 Amp
Dimensions	4.25" H x 6.875" L
Warranty	3 years
Environmental	
<i>Temperature</i>	Operating -5 to 60°C (23 to 140°F) Storage -40 to 70°C (-40 to 158°F)
<i>Humidity</i>	Operating 5 to 90% non-condensing Storage 0 to 95% non-condensing
LEDs	Termpower A & B, Low Voltage Diff A & B High Voltage Diff. A & B, Single-Ended A & B Activity A & B
Drivers	Linux Kernel 2.3 or higher Windows XP, 2000, NT Solaris 9 and 8 (mpt)



2305 Camino Ramon, Suite 200
San Ramon, CA 94583-1369
925.355.2000 info@sbei.com



www.sbei.com