

SBE®

Dual PCI SCSI Ultra-3 LVD host adapter

▼
scsiPCI-2U3WL

Highlights

- ▶ 2-channel Ultra-3 Wide LVD SCSI host adapter
- ▶ Up to 160 MB/sec transfer rate per channel
- ▶ Low-Voltage Differential or Single-Ended signals
- ▶ PCI 2.2 compatible
- ▶ Allows 30 SCSI devices
- ▶ Drivers for Linux, Solaris, and Windows
- ▶ On-board EEPROM for configuration
- ▶ Solaris Ready



scsiPCI-2U3WL

SBE's scsiPCI-2U3WL two-channel, low-voltage-differential, wide SCSI host adapter allows up to 30 SCSI hard disks, tape drives, CD-ROMs, and other SCSI devices to be connected to a workstation or server at data transfer rates up to 160 megabytes per second, per channel. An on-board SCSI command processor reduces the system load, while 128 double-word burst DMA over a 64-bit 66 MHz PCI bus gives state-of-the-art peak system bus bandwidth of up to 264 MB/sec while retaining compatibility with existing PCI slots. SCSI line drivers automatically switch modes when connected to a single-ended device.

Ultra-3 host adapter provides full backward compatibility to other SCSI LVD devices, such as Ultra2 and lower. Powered by the SYM53C1010 chipset, the SBE scsiPCI-2U3WL supports Solaris 9, 8, 7, Linux and Windows-based operating systems.

scsiPCI
SERIES



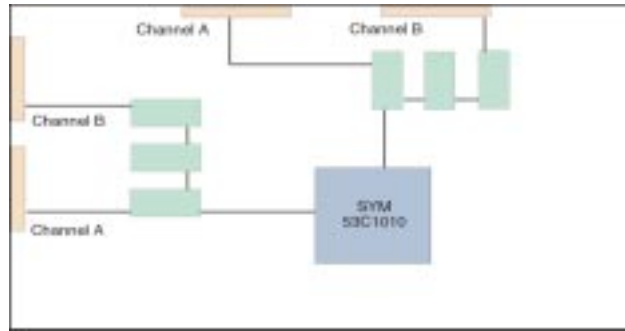
All Antares Microsystems products are now developed and marketed by SBE.

www.sbei.com

**Dual PCI SCSI Ultra-3
LVD host adapter**



scsiPCI-2U3WL Architecture



Specifications

Maximum Transfer Rate	2 x 160 MB/sec (Ultra-3)
SCSI Bus Driver Type	Low Voltage Differential, autoswitch to single-ended
PCI	32/64-bit, 33/66MHz PCI 2.2, 3.3V PCI signaling
Maximum Cable Length	12 meters
Maximum Number of Devices	15 (per channel)
SCSI Data Bus Width	2 x 16 bits
SCSI Connectors	68-pin VHDCI Female External 68-pin SCSI-3 Internal
SCSI Termination	Switch Selectable
System Data Transfer Method	64-Byte Burst DMA
Fuse	Self-resetting 2 Amp
Dimensions	4.25" H x 6.875" L
Warranty	3 years
Environmental	
<i>Temperature</i>	Operating -5 to 60°C (23 to 140°F) Storage -40 to 70°C (-40 to 158°F)
<i>Humidity</i>	Operating 5 to 90% non-condensing Storage 0 to 95% non-condensing
LEDs	Termpower A & B, Low Voltage Diff A & B High Voltage Diff. A & B, Single-Ended A & B Activity A & B
Drivers	Linux Kernel 2.2 or higher Windows XP, 2000, NT Solaris 9, 8 and 7 (glm2)



2305 Camino Ramon, Suite 200
San Ramon, CA 94583-1369
925.355.2000 info@sbei.com



www.sbei.com